

**BLDC PUMP**

**CWPO35A**

**SPECIFICATION**

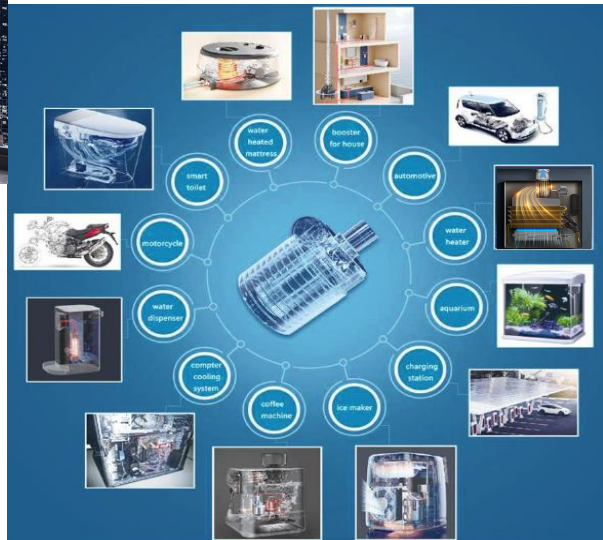


Rated Voltage	12V DC
Rated Current	4.2(1±10%) A
Rated Power	50 (1±10%) W
Max Flow	38 (1±10%) L/min
Max Head	10 ± 1M
Noise	≅ 40dB@1m
Lifetime	≅ 200,000 Times

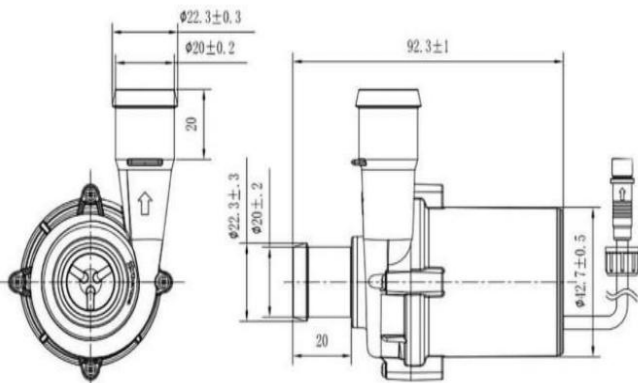
Ambient Temperature	-25~55°C
Medium Temperature	0~50°C
Ambient Humidity	Submersible
Medium	Water
Waterproof Class	IP68
Insulation	F (155°C)
Weight	230g ± 10

**APPLICATION**

- Smart toilet
- Water heater
- Liquid transfer
- Electric Vehicle
- Ice Maker
- Water Dispenser
- Aquarium
- Motorcycle
- Heating system
- Computer Cooling
- LED cooling
- Gas boiler
- HVAC system
- General purpose pumping
- Boosting application
- Home circulating system



**DIMENSION & CURVE**



Visit our site for more details: [www.thermopumpfactory.com](http://www.thermopumpfactory.com)

For more further info, please mail to [richel@auto-thermo.com](mailto:richel@auto-thermo.com)